

BLM3 DC LATCHING SOLENOID

Availability
DC only
PULL - THRUST - PULL & THRUST

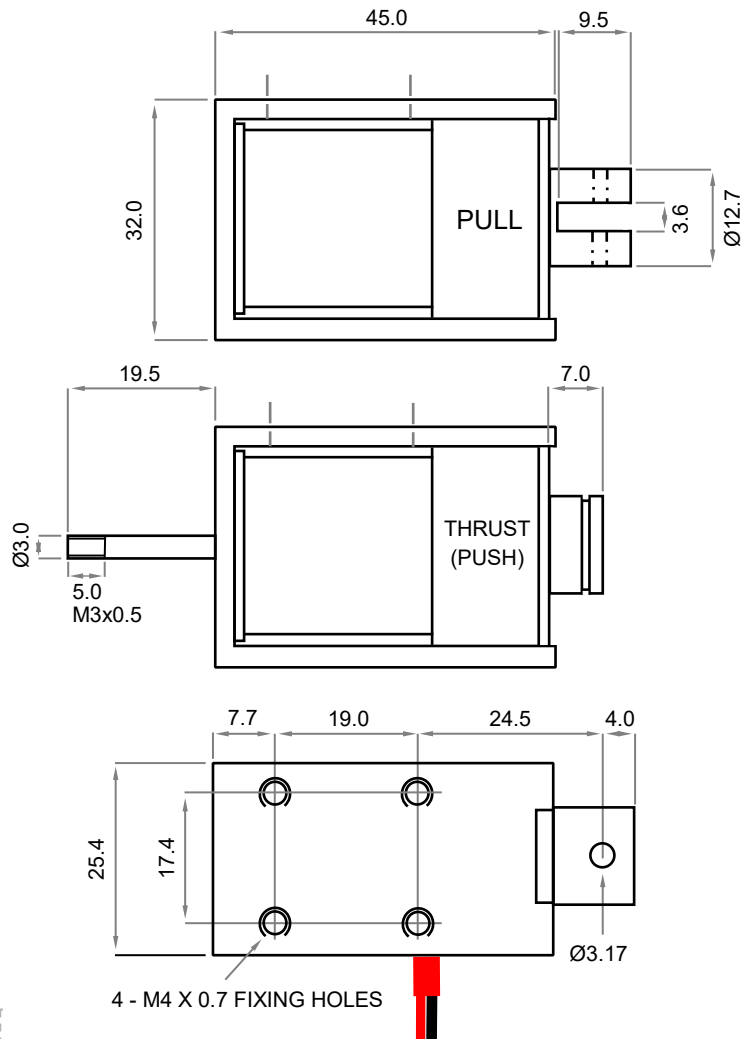
Solenoid shown in energised position

Weight complete 167g
Plunger weight 45g max

Solenoid CLOSSES with
RED Lead + VE
Solenoid OPENS with
BLACK Lead + VE

Minimum Pulse duration - 100ms
De-latch power - 2.5W

External force is required when de-latching,
i.e. via mechanism or return spring

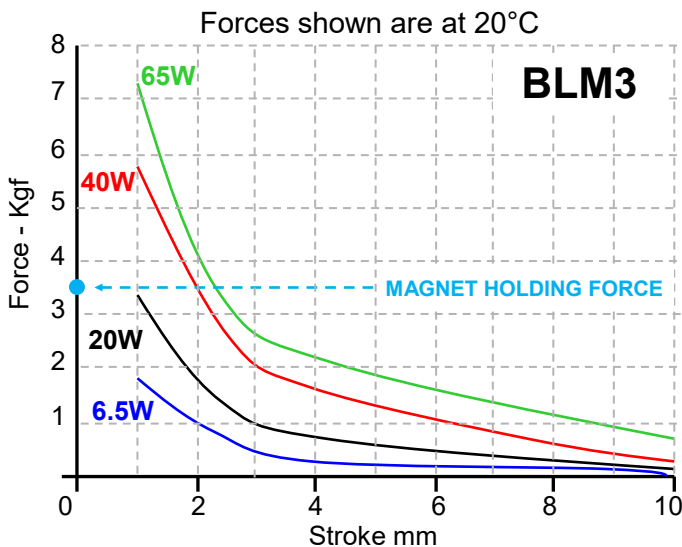


LEADS 200 - ONE RED, ONE BLACK
DIMENSIONS IN MM

Optional
Return Spring
Nylon Tip

Example Applications

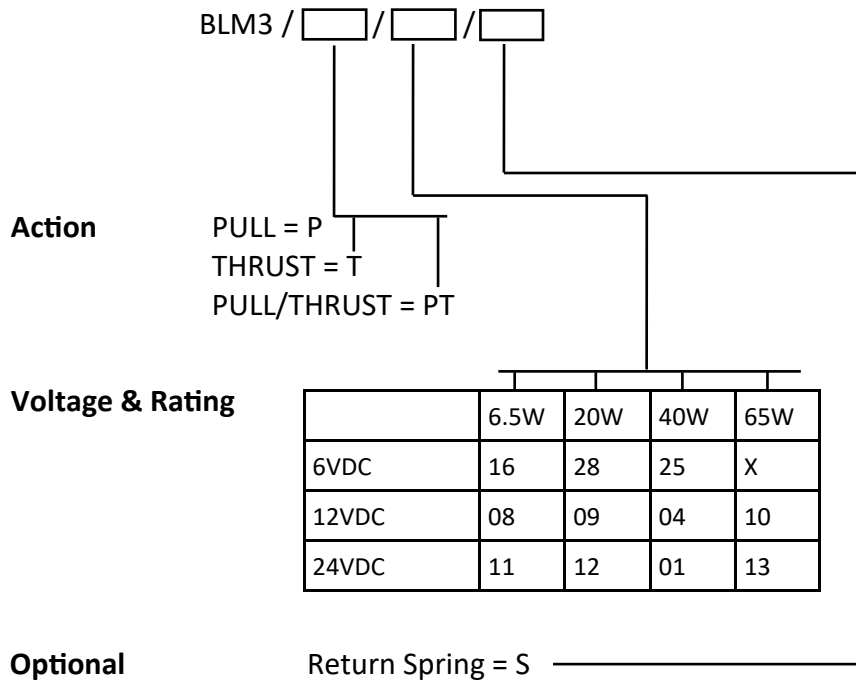
- Electronic Locks
- Medical Cabinets
- Vending Machines
- Battery Operated Locks



**** Please note: Fixing, plunger coupling, thrust rods and lead length can all be customised ****
We reserve the right to alter or amend designs without prior notice.

CODING

Please use the standard coding below when advising your design requirement.



Example - BLM3 / P / 12 / S

Other voltages are available on request.

Fixing, plunger coupling, thrust rods and lead length can all be customised.

All solenoids come with flying leads as standard, should you require spade connectors please contact our sales team.

We reserve the right to alter or amend designs without prior notice.

HE & BS Benson Ltd

1 Laureate Industrial Estate, Exning Road, Newmarket, Suffolk UK CB8 0AR

+44(0)1638 663535 — 663130 ✉ sales@bensonsolenoids.co.uk 🌐 www.bensonsolenoids.co.uk

BLM3 Rev 6 - 2019